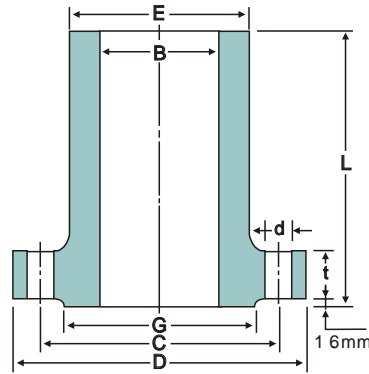




CLASS 2500 FLANGES LONG WELDING NECK FLANGES



Unit :mm

Nominal Pipe Size	Outside Diam D	Hub Diameter at Bevel E	O .D .of Raised Face G	Thickness of Flange Min . t	Diameter of Bore B	Length Through Hub L	DRILLING		
							Diameter of Bolt Circle C	Number of Holes	Diameter of Holes d
1	159	57.2	50.8	35.1	25.4	228.6	108.0	4	25.4
1 1/4	184	73.2	63.5	38.1	31.8	228.6	130.0	4	28.4
1 1/2	203	79.2	73.2	44.5	38.1	228.6	146.1	4	31.8
2	235	95.3	91.9	50.8	50.8	228.6	171.5	8	28.4
2 1/2	267	114.3	104.6	57.2	63.5	304.8	196.9	8	31.8
3	305	133.4	127.0	66.5	76.2	304.8	228.6	8	35.1
4	356	165.1	157.2	76.2	101.6	304.8	273.1	8	41.1
5	419	203.2	185.7	91.9	127.0	304.8	323.9	8	47.8
6	483	235.0	215.9	108.0	152.4	304.8	368.3	8	53.8
8	552	304.8	269.7	127.0	203.2	304.8	438.2	12	53.8
10	673	374.7	323.9	165.1	254.0	406.4	539.8	12	66.5
12	762	441.5	381.0	184.2	304.8	406.4	619.3	16	73.2

GUIDE TO MATERIAL LAYOUT & SPECIFICATIONS

Unit :mm

Pipe	Weld Fittings	Screwed & Socket Fittings	Flanges	Valves
A -53	A -234 WPB	A -105 A -181 Gr .60 or 70	A -105 A -181 Gr .60 or 70	A -105 A -216 WCB
A -106B	A -234 WPB	A -105 A -181 Gr .60 or 70	A -105 A -181 Gr .60 or 70	A -105 A -216 WCB
A -312 T304	A -403 WP -304	A -182 F -304	A -182 F -304	A -182 F -304 CMD
A -312 T316	A -403 WP -316	A -182 F -306	A -182 F -306	A -182 F -316 CM 8MO
A -333 Gr .1or 6	A -420 WPL 1 &6	A -350 LF -1	A -350 LF -1	A -350 LF -1 A -352 LCB
A -333 GR .3	A -420 WPL -3	A -350 LF -3	A -350 LF -3	A -350 LF -3 A -352 LC3
A -335 P -1	A -234 WP -1	A -182 F -1	A -182 F -1	A -217 WC -6
A -335 P -11	A -234 WP -11	A -182 F -11	A -182 F -11	A -182 F -11 A -217 WC -6
A -335 P -12	A -234 WP -12	A -182 F -12	A -182 F -12	A -217 WC -6
A -335 P -22	A -234 WP -22	A -182 F -22	A -182 F -22	A -182 F -22 A -217 WC -9
A -335 P -5	A -234 WP -5	A -182 F -5	A -182 F -5	A -182 F -5 A -216 WC -5
A -335 P -7	A -234 WP -7	A -182 F -7	A -182 F -7	A -182 F -7 A -217 WC -12
A -335 P -9	A -234 WP -9	A -182 F -9	A -182 F -9	A -182 F -9 A -217 WC -12

Notes

- (1) Bore(B) is the same as nominal pipe size.
- (2) Welding necks longer than listed are available in all sizes on special order.