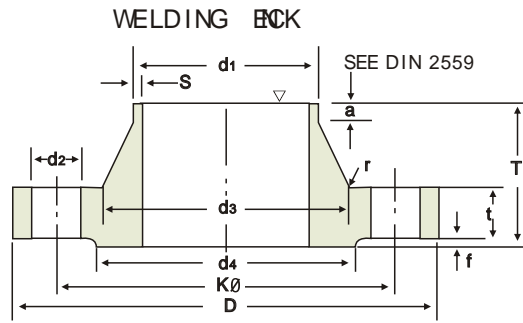
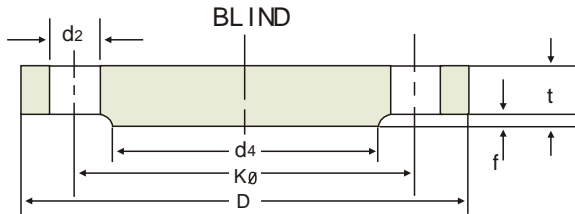
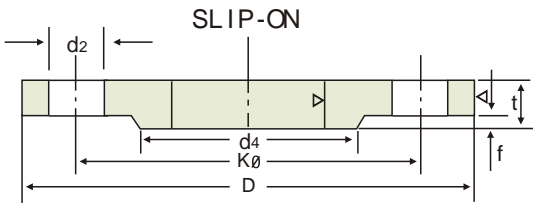


40 BAR

DIN 2545 SLIP-ON FLANGES DIN 2527 BLIND FLANGES DIN 2635 WELDING NECK FLANGES



Unit :mm

Nomi - nal Bore																	
10	16		16	60	35	25	1.8	4	6	40	2	4	M12	(1/2 ")	14	0.72	0.661
15	16	16	16	65	38	30	2.0	4	6	45	2	4	M12	(1/2 ")	14	0.81	0.746
20	18	18	18	75	40	38	2.3	4	6	58	2	4	M12	(1/2 ")	14	1.24	1.06
25	18	18	18	85	40	42	2.6	4	6	68	2	4	M12	(1/2 ")	14	1.38	1.29
32	18	18	18	100	42	52	2.6	6	6	78	2	4	M16	(5/8 ")	18	2.03	1.88
40	18	18	18	110	45	60	2.6	6	7	88	3	4	M16	(5/8 ")	18	2.35	2.33
50	20	20	20	125	48	72	2.9	6	8	102	3	4	M16	(5/8 ")	18	3.20	2.82
65	22	22	22	145	52	90	2.9	6	10	122	3	8	M16	(5/8 ")	18	4.29	3.74
80	24	24	24	160	58	105	3.2	8	12	138	3	8	M16	(5/8 ")	18	5.88	4.75
100	24	24	24	190	65	128	3.6	8	12	162	3	8	M20	(3/4 ")	23	7.54	6.52
125	26	26	26	220	68	155	4.0	8	12	188	3	8	M24	(7/8 ")	27	10.8	9.07
150	28	28	28	250	75	182	4.5	10	12	218	3	8	M24	(7/8 ")	27	14.5	11.80
(175)	32	32	32	295	82	215	5.6	10	15	260	3	12	M24	(1 ")	30	22.1	18.2
200	34	34	34	320	88	240	6.3	10	16	285	3	12	M27	(1 ")	30	27.2	21.5
250	38	38	38	385	105	298	7.1	12	18	345	3	12	M27	(1 1/8 ")	33	43.8	34.9
300	42	42	42	450	115	352	8.0	12	18	410	4	16	M30	(1 1/8 ")	33	63.3	49.7
350	46	46	46	510	125	408	8.8	12	20	465	4	16	M33	(1 1/4 ")	36	89.5	68.1
400	50	50	50	585	135	462	11.0	12	20	535	4	16	M36	(1 1/8 ")	39	127.0	96.5
500	52	52	52	670	140	562	14.2	12	20	615	4	20	M39	(1 1/8 ")	42	172.0	117.0

Notes

* Out side diameter of pipe complies with ISO recommendation R64 .