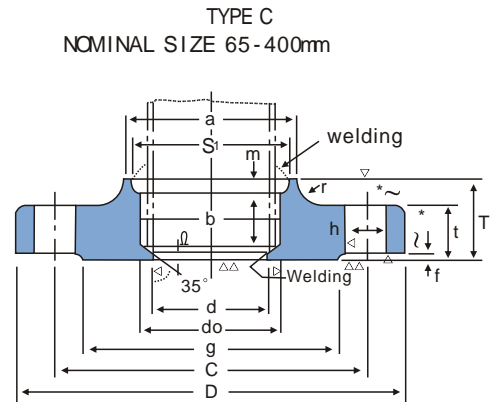
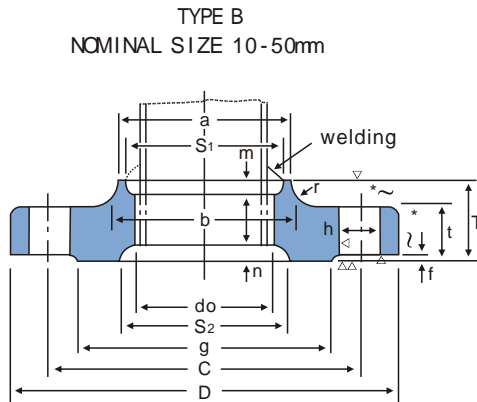


30K KS B1503 JIS B2220 Slip-on



*The surface finish (–) is in the case of die forging

Unit :mm

Nominal Dia. of Flange	Outside Dia. of Steel pipe	Inside Dia. of Flange do	Outside Dia. of Flange D	Sectional Dimensions of Flange								Bolt Hole			Nominal Bolt Size	Reference					Approx. Weigh (kg)
				t	T	Dia. of Hub		Radius r	f	g	d	Bolt Circle Dia. c	Number of Bolt Holes	Hole Dia. h		S1	m	S2	n	l	
						a	b														
10	17.3	17.8	110	16	24	30	34	4	1	52	-	75	4	19	M16	-	-	-	-	-	0.99
15	21.7	22.2	115	18	26	36	40	5	1	55	-	80	4	19	M16	31	4	40	5	-	1.23
20	27.2	27.7	120	18	28	42	46	5	1	60	-	85	4	19	M16	37	5	44	5	-	1.34
25	34.0	34.5	130	20	30	50	54	5	1	70	-	95	4	19	M16	55	6	52	5	-	1.76
32	42.7	43.2	140	22	32	60	64	6	2	80	-	105	4	19	M16	52	6	60	5	-	2.15
40	48.6	49.1	160	22	34	66	70	6	2	90	-	120	4	23	M20	58	6	66	5	-	2.82
50	60.5	61.1	165	22	36	82	86	6	2	105	-	130	8	19	M16	70	6.5	78	5	-	2.89
65	76.3	77.1	200	26	40	102	106	8	2	130	65.9	160	8	23	M20	96	9.5	94	5	6	4.70
80	89.1	90.0	210	28	44	115	121	8	2	140	78.1	170	8	23	M20	109	9.5	-	-	6	5.36
(90)	101.6	102.6	230	30	46	128	134	8	2	150	90.2	185	8	25	M22	122	9.5	-	-	6	6.85
100	114.3	115.4	240	32	48	141	147	8	2	160	102.3	195	8	25	M22	135	9.5	-	-	6	7.89
125	139.8	141.2	275	36	54	166	172	8	2	195	126.6	230	8	25	M22	160	9.5	-	-	6	11.4
150	165.2	166.6	325	38	58	196	204	8	2	235	151.0	275	12	27	M24	186	9.5	-	-	6	16.7
200	216.3	218.0	370	42	64	248	256	8	2	280	199.9	320	12	27	M24	237	9.5	-	-	6	20.6
250	267.4	269.5	450	48	72	306	314	10	2	345	248.8	390	12	33	M30	290	10	-	-	6	36.1
300	318.5	321.0	515	52	78	360	370	10	3	405	297.9	450	16	33	M30	345	12	-	-	6	49.9
350	355.6	358.1	560	54	84	402	412	12	3	450	333.4	495	16	33	M30	383	13	-	-	6	61.2
400	406.4	409.0	630	60	92	456	468	15	3	510	381.0	560	16	39	M36	435	14	-	-	7	85.2

- (1) Flanges of parenthesized nominal diameter had better not be used.
- (2) "d" is an example of pipe thickness for schedule 40 of KS B3562 and KS D8507(JIS G3454, JIS G3456). if required, purchaser can specify for other pipe wall thickness.
- (3) This diameters of bolt holes(h) shall be in accordance with class 3 of KS B1007(Grade 3 of JIS B1001) where the nominal designation of screw head of bolt is not more than M16, and in accordance with class 2 of KS N1007(Grade 2 of JIS B1001) where the nominal designation of screw thread of bolt is not less M80x 3.
- (4) The dimension of the notch(m,n,S1,S2) for welding can be decided between concerned parties agreement between parties concerned.